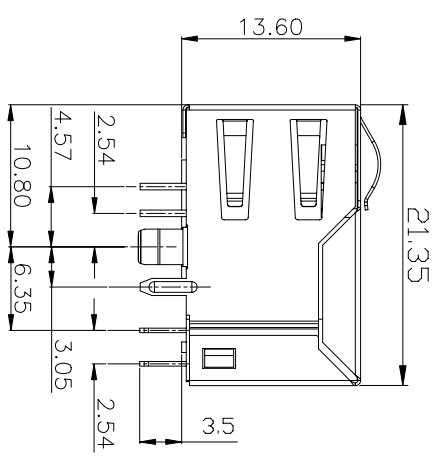
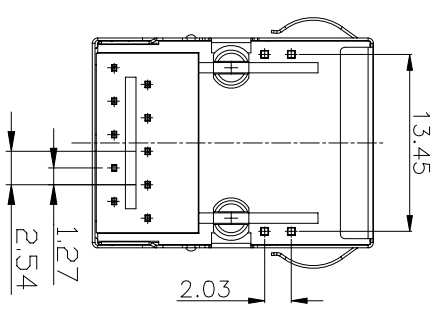
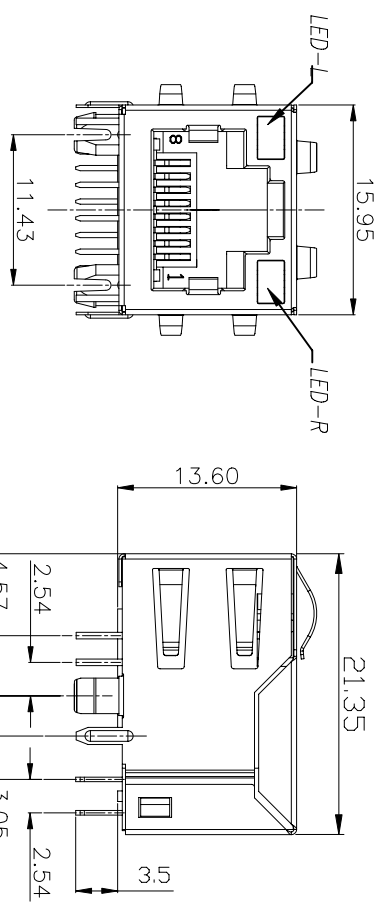


CATEGORY	DESCRIPTION	P/N #
CONNECTOR	R445 8P8C 反口带灯带滤波器 10/100 Mbps	MJ2B-B211-RSLX4T001-1

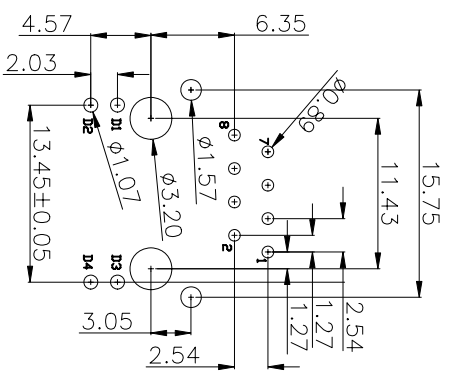
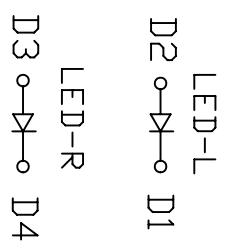
REV.	ECN NO	DESCRIPTION	REVISED	DATE
A01		New Release	XSX	2015.05.02



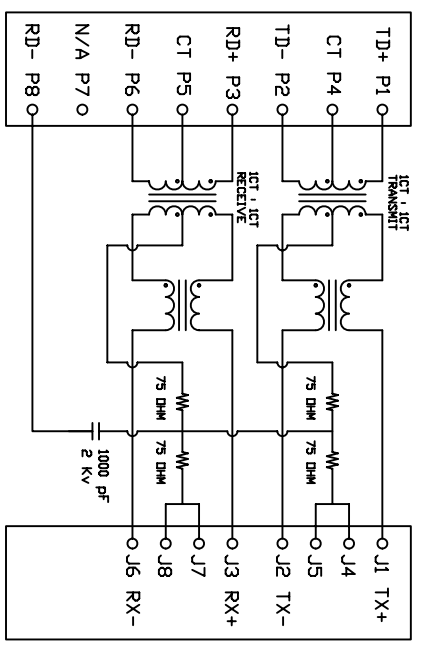
MJ2B-B211-RSLX4T001-1

TABLE 1

X	LED-L	LED-R
1	GREEN	YELLOW
2	YELLOW	GREEN



Recommend PCB Layout  
(back Top View)  
Tolerance: ±0.05mm  
Recommend PCB Thickness: 1.6mm



ELECTRICAL SPECIFICATIONS @ 25°C+/-5°C  
 Insertion Loss: 1-100MHZ -1.0dB MAX  
 Return Loss: 1-30MHZ -16.0dB MIN  
 30-60MHZ -14.0dB MIN  
 60-80MHZ -10.0dB MIN  
 Cross Talk: 1-30MHZ -40.0dB MIN  
 30-60MHZ -35.0dB MIN  
 60-80MHZ -30.0dB MIN  
 Turn Ratio: 1CT:1CT+/-3%  
 CMR:1-100MHZ -35.0dB MIN  
 HI-Pot: 1000v AC 2S 1mA  
 OCL:350uH MIN @ 100KHZ 100mV 8mA DC  
 Operating temperature range:0°C to +70°C

g	LED-R	1	See Table1	Tin	PALTING	
f	LED-L	1	See Table1	Tin	PALTING	
e	SHELL	1	BRASS	Ni	PALTING	
d	SOLDER TERMINAL	8	BRASS	Tin	PALTING	
c	CONTACT TERMINAL	8	PHOSPHOR BRONZE	Au 6u"	PALTING	
b	COVER	1	PBT UL94V-0	BLACK		
a	HOUSING	1	PBT UL94V-0	BLACK		
NO.	PART NAME	Q'TY	MATERIAL	PLATING & COLOR	Remark	

UNLESS OTHERWISE SPECIFIED TOLERANCES	DECIMALS:	ANGLES:
	±0.5	±2°
	±0.3	±1°
	±0.2	

**东莞市合陵电子有限公司**  
 DongGuan Heling Electronic Co.,LTD  
 Connector

SCALE:1/1	UNIT: mm	DWG.NO:
SIZE: A3	PAGE:1 OF 1	REV:A01
APPROVED BY	CHECKED BY	PREPARED BY
DICK	XSX	XSX

CUSTOMER COPY