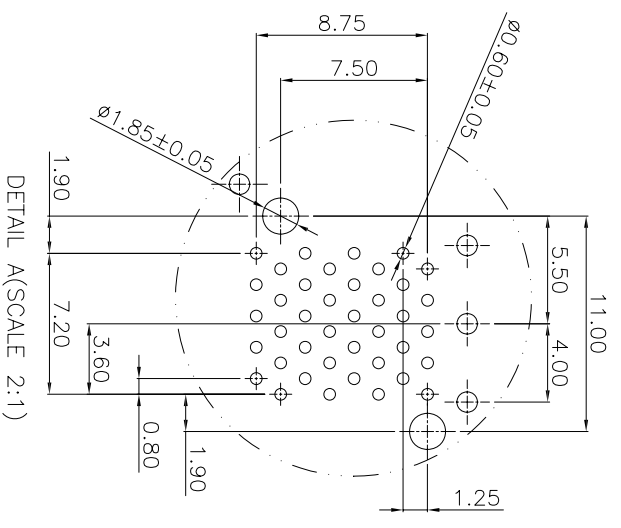
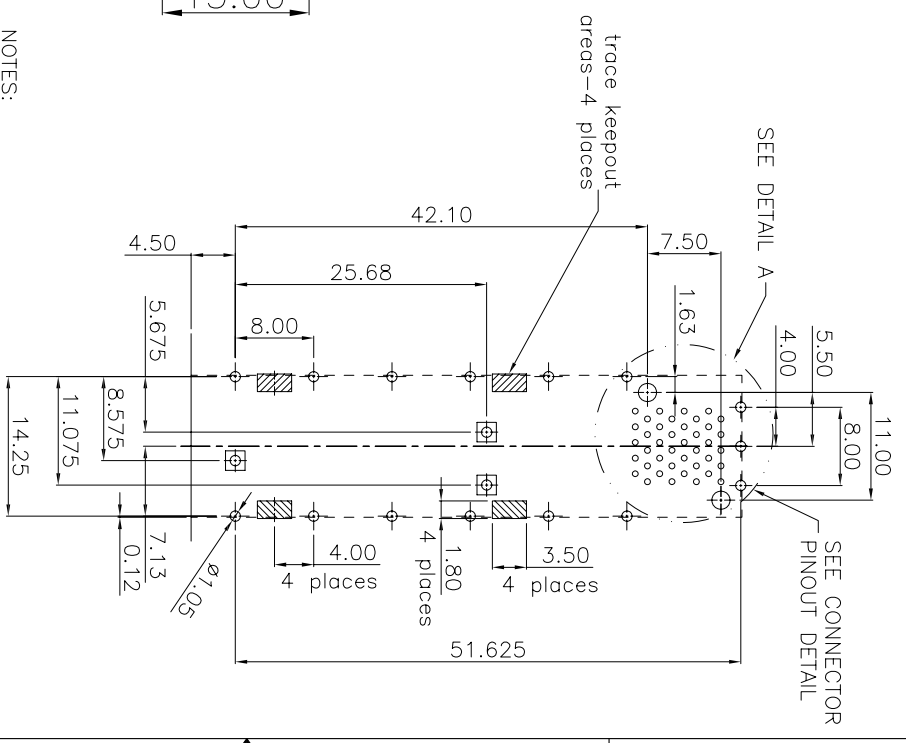
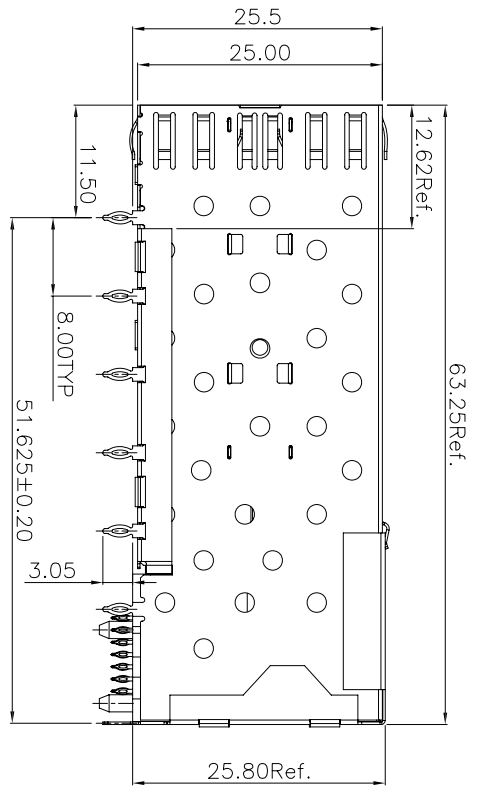
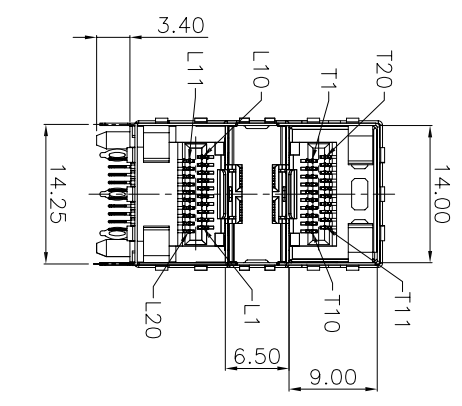
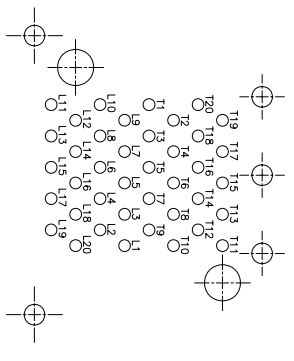


CATEGORY	DESCRIPTION	P/N #
CONNECTOR	SFP 无灯压接脚	SFP-BX21-CLR01

REV.	ECN NO	DESCRIPTION	REVISED	DATE
A01		New Release	WTF	2016.06.14



DETAIL A(SCALE 2:1)



CONNECTON PINOUT DETAIL COMPONENT SIDE OF BOARD

X	Terminal Plating
0	Au 1u" Plating
1	Au 3u" Plating
2	Au 6u" Plating
3	Au 15u" Plating
4	Au 30u" Plating

SFP-BX21-CLR01

1. RECOMMENDED PCB THICKNESS:2.36 (MINIMUM PCB THICKNESS:1.57)

NOTES:
 1.MATERIAL:
 CAGE: COPPER ALLOY, THICKNESS: 0.25mm;
 CONNECTOR HOUSING: GLASS FILLED THERMOPLASTIC;
 UL 94V-0 COLOR: BLACK
 TERMINALS: PHOSPHOR BRONZE
 2.FINISH
 TERMINALS CONTACT AREA: PLATED-GOLD; Matte Sn150u"
 SOLDER TERMINAL AREA: PLATED-TIN; Ni50u"

东莞市合陵电子有限公司
DongGuan Heling Electronic Co.,LTD
 Connector

UNLESS OTHERWISE SPECIFIED TOLERANCES	SCALE: 1/1	UNIT: mm	DWG.NO:
DECIMALS: X :±0.5	SIZE: A3	PAGE: 1 OF 1	REV: A01
ANGLES: X :±2°	APPROVED BY	CHECKED BY	PREPARED BY
X.X :±0.3	DICK	XSY	WTF
X.XX :±0.2	CUSTOMER COPY		